

Maxi free-standing Beacons / Rotating Mirror Light 883

**Rotating Mirror Beacon LED 24VAC/DC RD**

Part No.: 883.130.75

**MECHANICAL DATA**

|                              |                             |
|------------------------------|-----------------------------|
| Height                       | 218 mm                      |
| Diameter                     | 142 mm                      |
| Materials                    | PC<br>PC/ABS                |
| Dome colour                  | Red                         |
| Housing colour               | Black                       |
| Protection category          | IP65                        |
| Connection                   | Screw terminals             |
| cross-sectional area maximum | 1,50mm <sup>2</sup> / 16AWG |
| Cable entry                  | Rubber pinch                |
| Cable entry minimum          | d = 5 mm                    |
| Cable entry maximum          | d = 7 mm                    |
| Tension relief               | Pull-out protection         |
| Type of fixing               | Base mounting               |
| Working temperature minimum  | -30°C                       |
| Working temperature maximum  | +50°C                       |
| Weight with packaging        | 715 g                       |
| Product weight               | 627 g                       |

**ELECTRICAL DATA**

|                             |                    |
|-----------------------------|--------------------|
| Operating voltage           | 24V                |
| Operating voltage type      | AC/DC              |
| Operating voltage frequency | 50Hz               |
| Operating voltage tolerance | +/- 10%            |
| Rated operational voltage   | 24 VDC             |
| Rated operational current   | 250 mA             |
| Rated inrush current        | 2400 mA            |
| Protection class            | Protection class 2 |
| Pollution degree            | 3                  |
| Overvoltage category        | II                 |

**OPTICAL DATA**

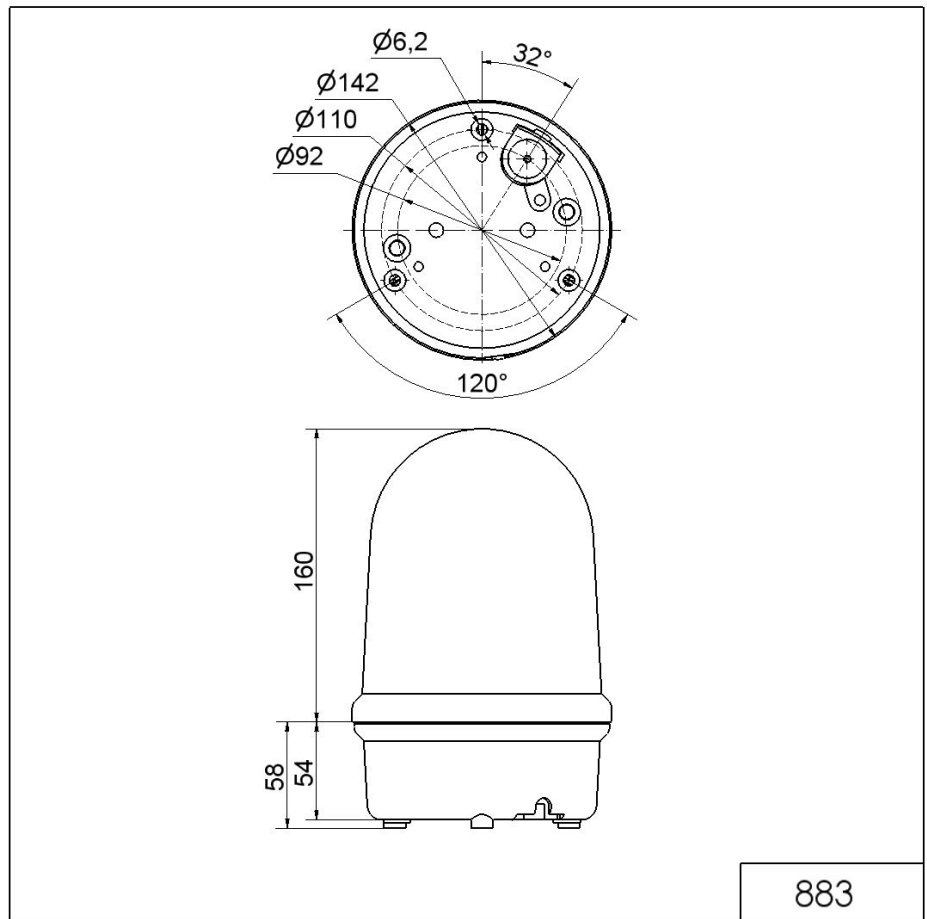
|                      |                  |
|----------------------|------------------|
| Light source         | LED              |
| Light colour         | Red              |
| Optical signal image | Revolving        |
| Service life optical | 50,000 h minimum |
| Rotation speed (rpm) | 180 U/min        |



For additional installation and mounting information, refer to the appropriate user guide at [www.werma.com](http://www.werma.com). This printed copy is for information only and is subject to alteration.

Maxi free-standing Beacons / Rotating Mirror Light 883  
**Rotating Mirror Beacon LED 24VAC/DC RD**

**DRAWING**



For additional installation and mounting information, refer to the appropriate user guide at [www.werma.com](http://www.werma.com). This printed copy is for information only and is subject to alteration.